

All-Star Series Pump

HIGH FLOW RATE PERFORMANCE

Specially designed for above-ground pool



Features

1. Includes a motor shroud for Canada versions and a mounting base. All components are molded in corrosion-proof reinforced thermoplastic for superior strength and reliability.
2. Easy access discharge port allows conversion from vertical to horizontal discharge orientation.
3. 1.5" PVC pipe union or NPT thread to 1.25" - 1.5" hose band adaptor for quick inlet/outlet hose connection.
4. Large debris basket with see-through lid reduces cleaning frequency. Twist-Lock lid design enables hassle-free access to the basket.
5. Optimal volute and impeller design provides an excellent hydraulic performance.
6. Suitable for in-ground pools: self-priming vertical lift up to 5ft (1.5 metres).
7. Super quiet operation especially for dual-speed models.
8. Heavy duty high performance motor with automatic thermal overload protection.

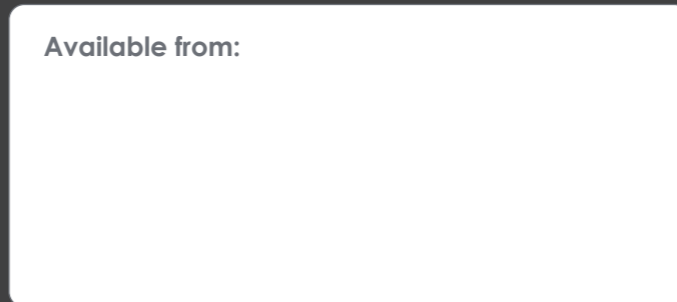


EMAUX WATER TECHNOLOGY CO., LTD

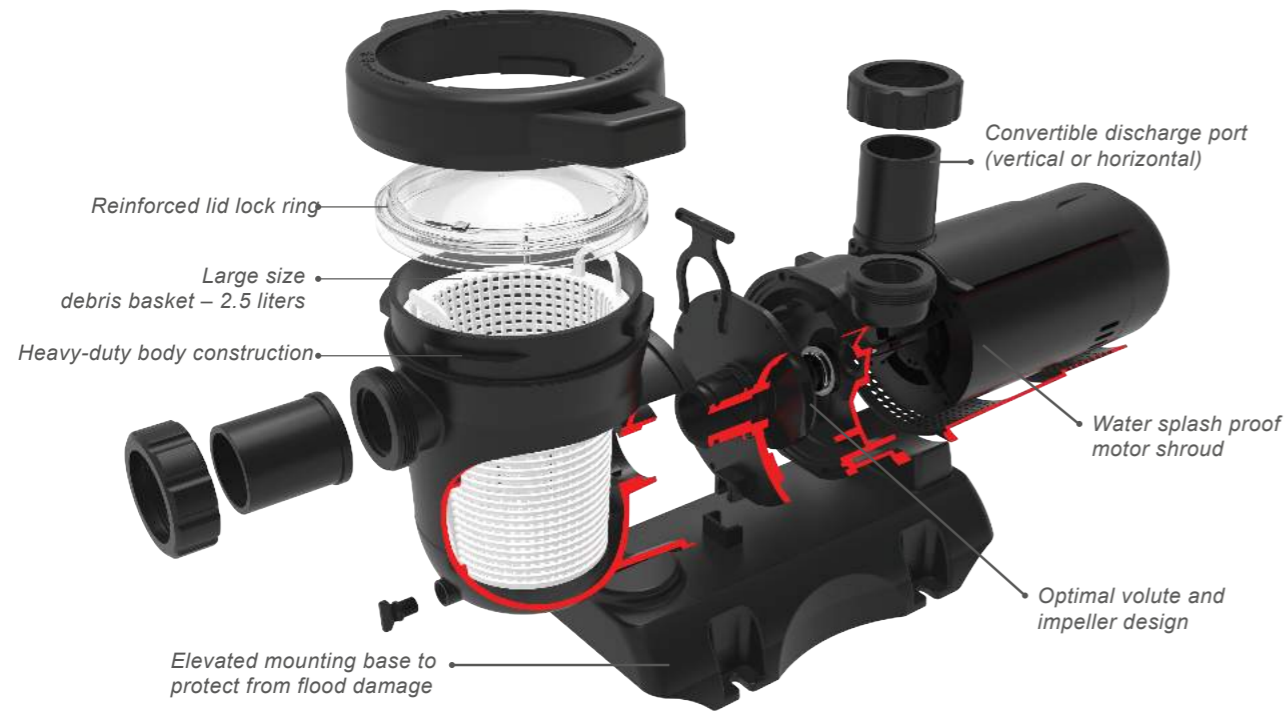
ADDRESS: Flat A-D, 20/F., Kai Bo 22, 22 Wing Kin Road,
Kwai Chung, Hong Kong
PHONE +852 2832 9880
www.emaugroup.com

 YOUR PREMIER SUPPLIER

Available from:

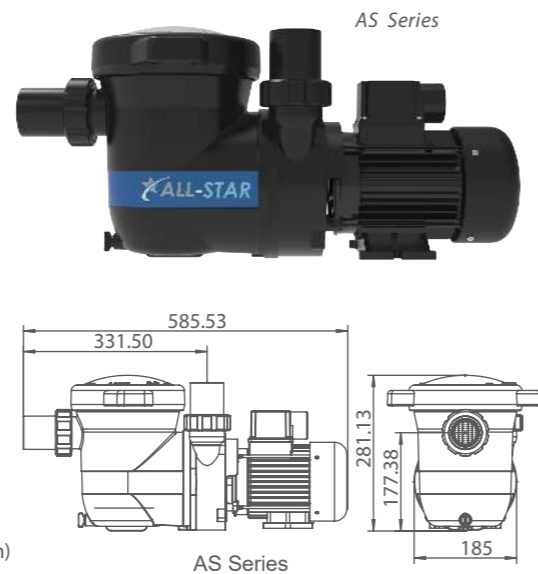
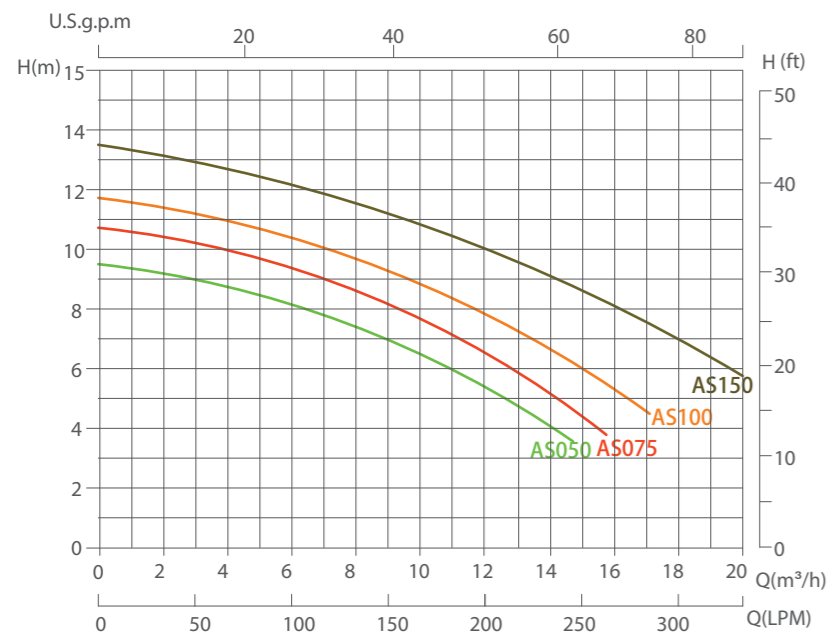


Exploded Diagram:



Technical Information:

AS Series: with TEFC motor and CE certificate

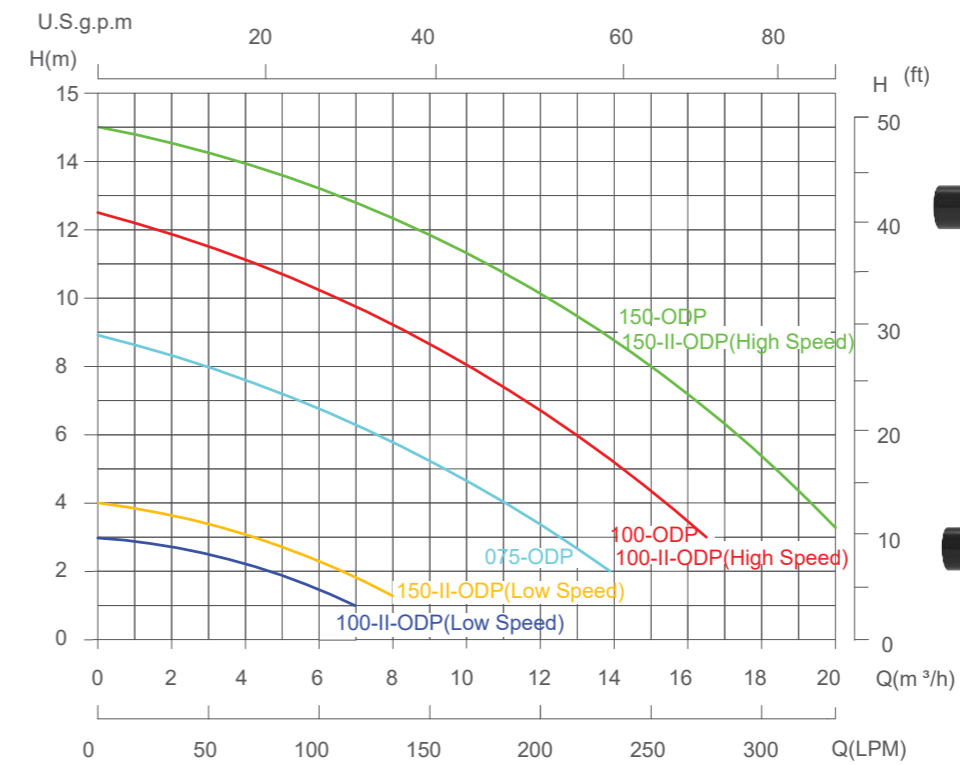


Code (220V/50Hz)	Model	Connection Size	HP	UF	Weight (Kg)	Input (kW)	Current (AMP)	Noise (dB)	Head (m)		
									6	8	10
									Flow Rate (m³/h)		
9024301	AS050	1.5"/50mm	0.5	8	10	0.55	2.5	62	10.5	6.4	--
9024302	AS075	1.5"/50mm	0.75	14	10.5	0.75	3.5	62	13	9.3	4
9024303	AS100	1.5"/50mm	1.0	20	11.5	0.9	4.7	65	15	11.7	7
9024304	AS150	1.5"/50mm	1.5	30	12.5	1.1	5.8	68	19.6	16.2	12

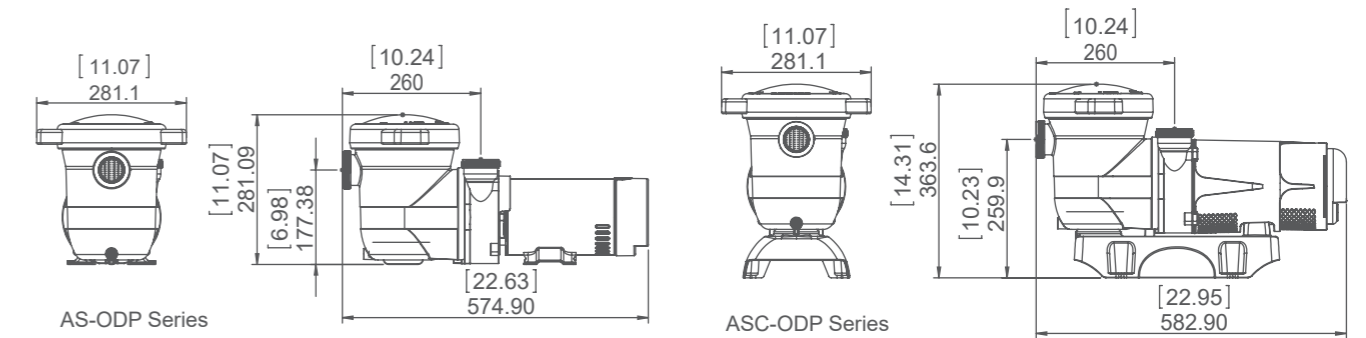
Technical Information (AS-ODP and ASC-ODP Series):

AS-ODP Series: with ODP motor and UL certificate

ASC-ODP Series: with ODP motor, UL certificate and motor shroud and elevated mounting base



Note: The performance curve above is for 60Hz models



Code	Model	Speed	Voltage	Input Power	HP	Full Load Current (A)	Connection Size	Noise Level dB @ 1m
9024101	ASC075-ODP	Single	115Vac 60Hz	0.55kW	0.75	6.2	1 ¼" - 1 ½"	66
9024102	ASC100-ODP	Single	115Vac 60Hz	0.75kW	1.0	9.5	1 ¼" - 1 ½"	68
9024103	ASC100-II-ODP	Dual	115Vac 60Hz	0.75kW	1.0	9.5	1 ¼" - 1 ½"	68/52
9024104	ASC150-ODP	Single	115Vac 60Hz	1.10kW	1.5	10.5	1 ¼" - 1 ½"	69
9024105	ASC150-II-ODP	Dual	115Vac 60Hz	1.10kW	1.5	10.5	1 ¼" - 1 ½"	69/52
9024201	AS075-ODP	Single	115Vac 60Hz	0.55kW	0.75	6.2	1 ¼" - 1 ½"	66
9024202	AS100-ODP	Single	115Vac 60Hz	0.75kW	1.0	9.5	1 ¼" - 1 ½"	68
9024203	AS100-II-ODP	Dual	115Vac 60Hz	0.75kW	1.0	9.5	1 ¼" - 1 ½"	68/52
9024204	AS150-ODP	Single	115Vac 60Hz	1.10kW	1.5	10.5	1 ¼" - 1 ½"	69
9024205	AS150-II-ODP	Dual	115Vac 60Hz	1.10kW	1.5	10.5	1 ¼" - 1 ½"	69/52